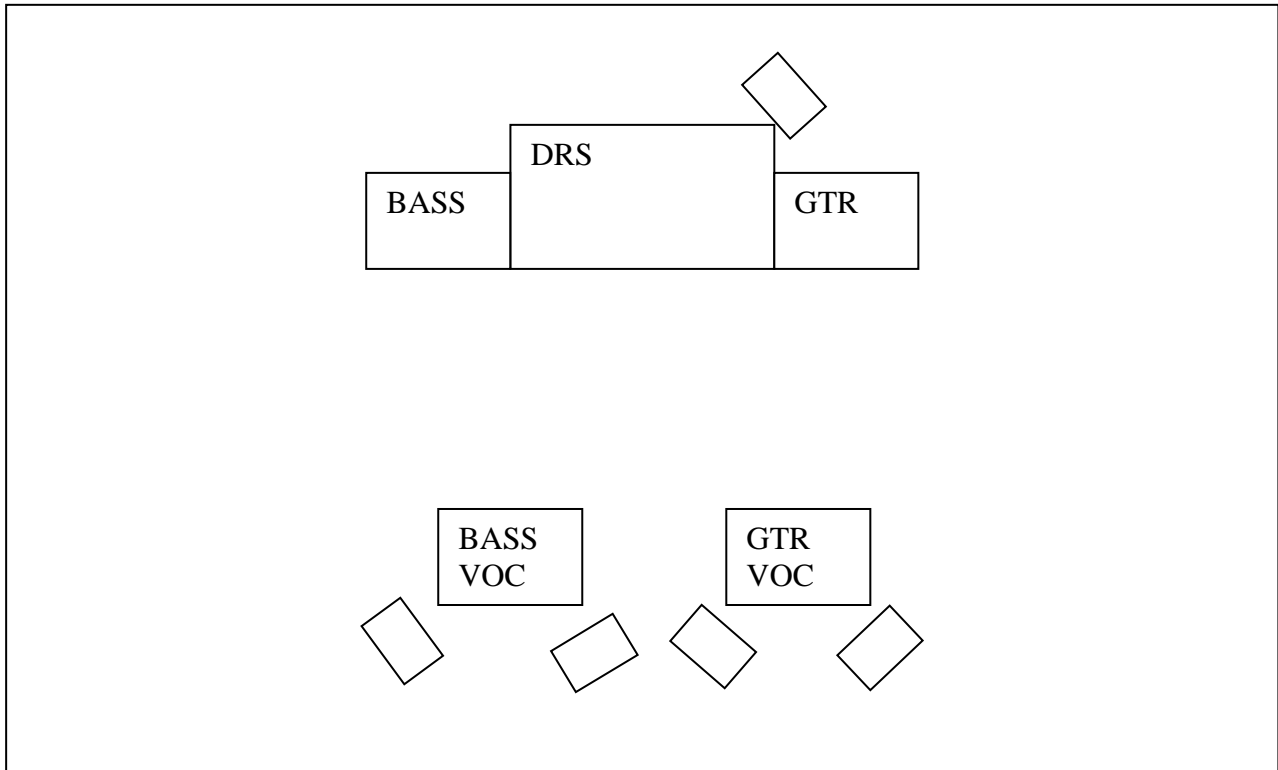


RA INPUTLIST & STAGEPLAN

STAGEPLAN



RA INPUTLIST

ch	inst	mic	ins	stand
1	BD 1	B 52	c/g	s/b
2	BD 2	B 52	c/g	s/b
3	SN	SM 57		s/b
4	HH	COND		s/b
5	RT 1	OPUS 87	gate	-
6	RT 2	OPUS 87	gate	-
7	FT	OPUS 87	gate	-
8	OH/L	COND		t/b
9	OH/R	COND		t/b
10	BASS	D.I.	comp	-
11	GTR L	SM 57		s/b
12	GTR R	SM 57		s/b
13	VOC BASS	B 58 A	comp	t/b
14	VOC GTR	B 58 A	comp	t/b
15	DLY			
16	REV 1 L			
17	REV 1 R			
18	REV 2 L			
19	REV 2 R			

Lisätietoja manageri Petteri Kokljuschkin

Gsm: +358-405565078

Email: peter.kokljuschkin@icon.fi